



Presenting a New Twist in Actuators

TwisTop™

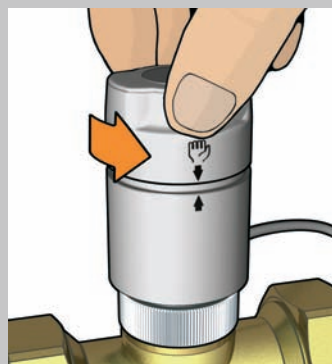
MANIFOLD ACTUATORS

Pop up green indicates actuator is open and can be seen from all directions.

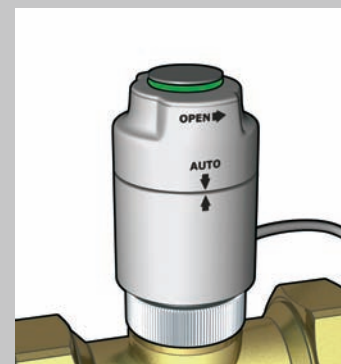


Caleffi TwisTop Advantages

- **Manual open/automatic return** — opens with a simple twist when power is off and returns to AUTO position automatically when power returns.
- **Fits many competitive manifolds** — one actuator for most applications.
- **Easy to read** — green ring indicates open actuator, visible from all sides.
- **Saves time** — no need to unscrew actuators off, to open loop circuits, simply twist open (on micro-switch models, contact closes).



When power is interrupted or when you need to check the operation of the actuator, you can manually open it with a twist of the top.



Open actuator automatically returns to AUTO open position when power is restored.

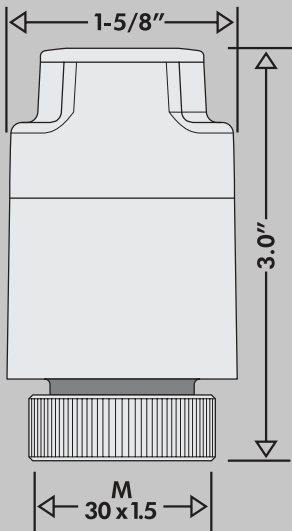
New Caleffi TwisTop Actuator

- With or without micro-switch
- Fits many competitor manifolds (consult factory)



TwisTop Actuator Models	
656304	24 V without micro-switch
656314	24 V with micro-switch
220 V optional on both models	

Also Available — Caleffi Standard Actuator



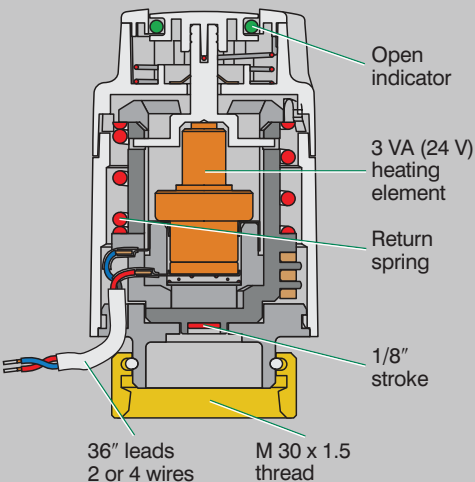
"The Caleffi twist-top actuators save my dealers a lot of time. Individual loops can be purged and filled without taking off all the actuators. Plus the pop-up indicator makes it a cinch to determine if a loop is switched on."

*Corey Hasenjager
Temperature Systems Inc.
Green Bay, Wisconsin*



"No more scraped knuckles unscrewing actuators! The unique twist-open feature makes system commissioning and electrical check simple and quick."

*Matt Carr
Waterworks Plumbing
Auburn, Nevada*



For detailed specifications
visit us at: www.caleffi.us

Caleffi North America, Inc.
3883 W. Milwaukee Rd., Milwaukee, WI 53208
Tel: 414.238.2360, Fax: 414.238.2366



- With or without micro-switch
- Fits many competitor manifolds (consult factory)

Standard Actuator Models	
656104	24 V without micro-switch
656114	24 V with micro-switch
220 V optional on both models	

CALEFFI
Hydronic Solutions