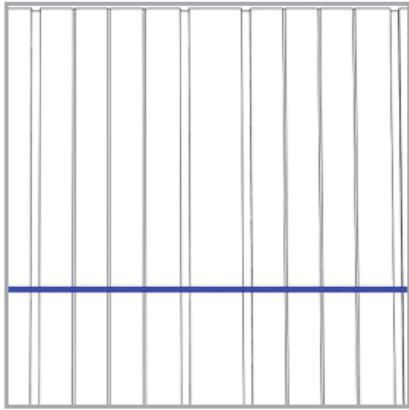


burmon ICFJH INSTALLATION & FIXING GUIDE

1 Flick a chalk line and mark the on-center spacing.



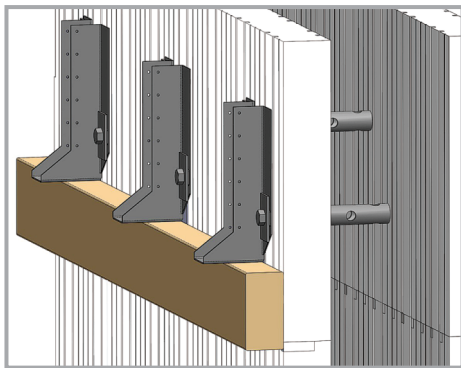
2 Using the ICFJH Joist Hanger as a template, mark the hole locations in the ICF wall.



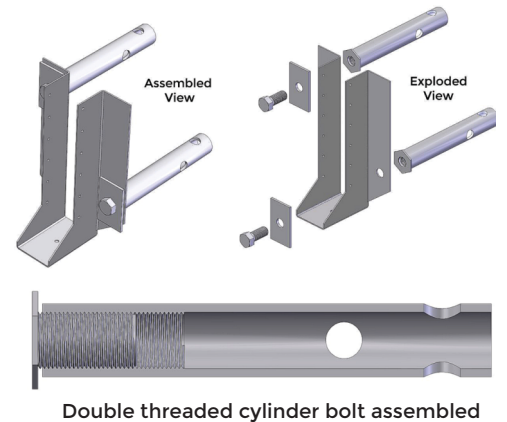
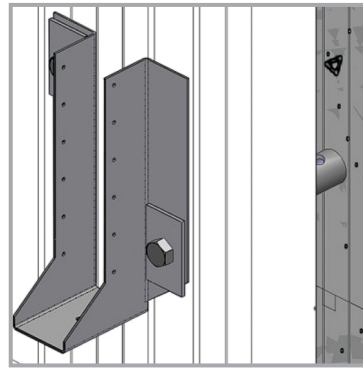
3 Use the supplied spade point bit to drill 7/8-inch wide holes.



4 Place assembled ICFJH in ICF Wall and secure in position by fixing a 2x4 underneath Joist Hangers.

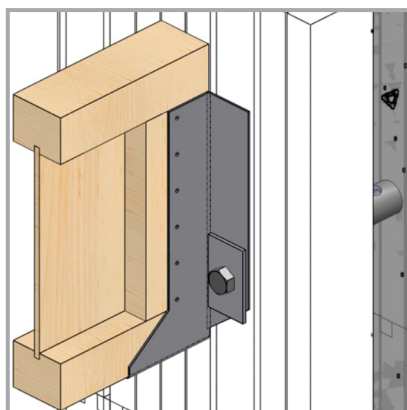


5 Place concrete (minimum f'c = 2500 psi [17.25 MPa])

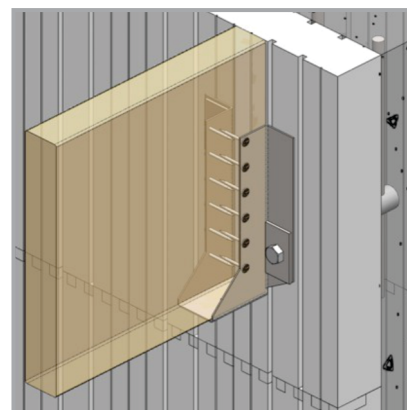


INSTALLATION OF I-JOISTS, BEAMS & TRUSSES

1 Position the wood member into the seat of the ICFJH Joist Hanger



2 Fix the wood member to the joist hanger using nails.



Note: Refer to the nail fastener schedule on load table chart for the correct nail specification to be used.